

BUILD 2

2 1/2" rips of 5/4
 5/4 and MC construction
 Cover with lauan- catch seam on 8' toggle
 Spackle staple holes and seam on face.

BY THE WAY, MEET VERA STARK

XX Black Box
 Vera's Apt Flats

Scale:

Date Drawn:

Date Completed:

1 1/2" = 1'

Director:

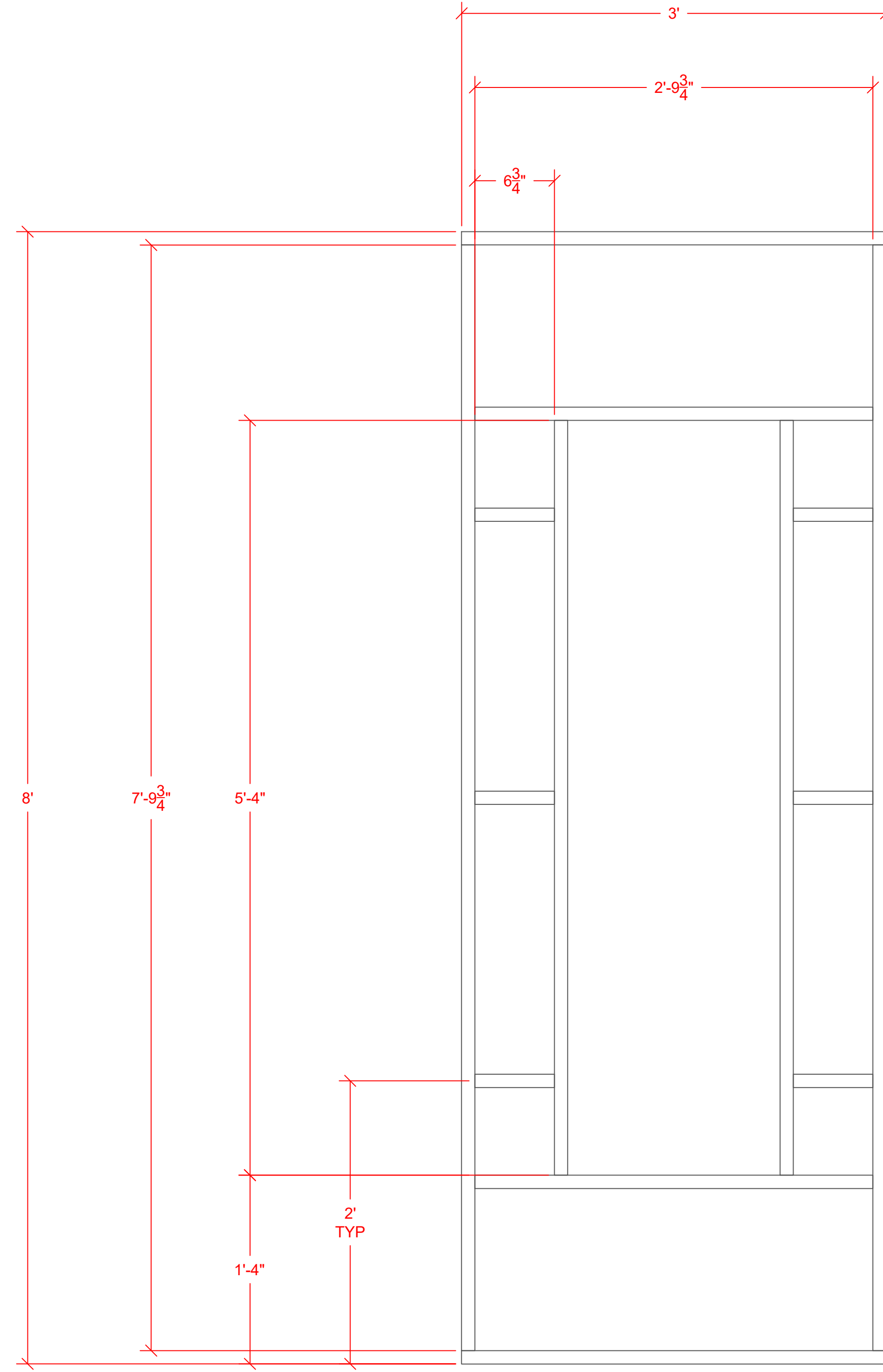
Designer:

Draftsman:

Sidney Williams

Tiffani Sydnor

Abby Bender



BUILD 2

2 1/2" rips of 5/4
 5/4 and MC construction
 Cover with lauan- route window hole
 Spackle staple holes on face and inside window

BY THE WAY, MEET VERA STARK

XX Black Box

Vera's Apt Window Flats

Scale:

1 1/2" = 1'

Director:

Sidney Williams

Date Drawn:

1/30/2023

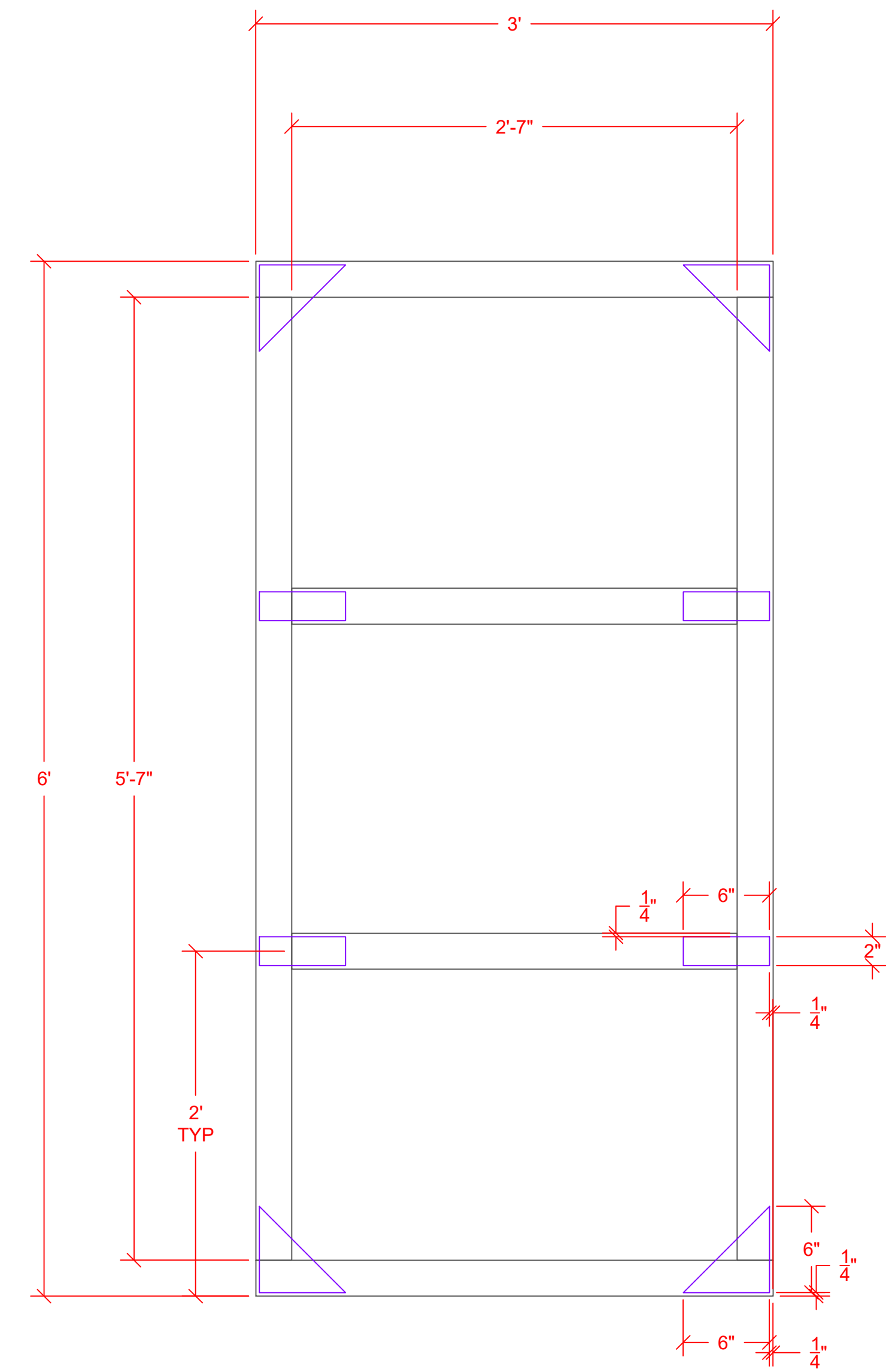
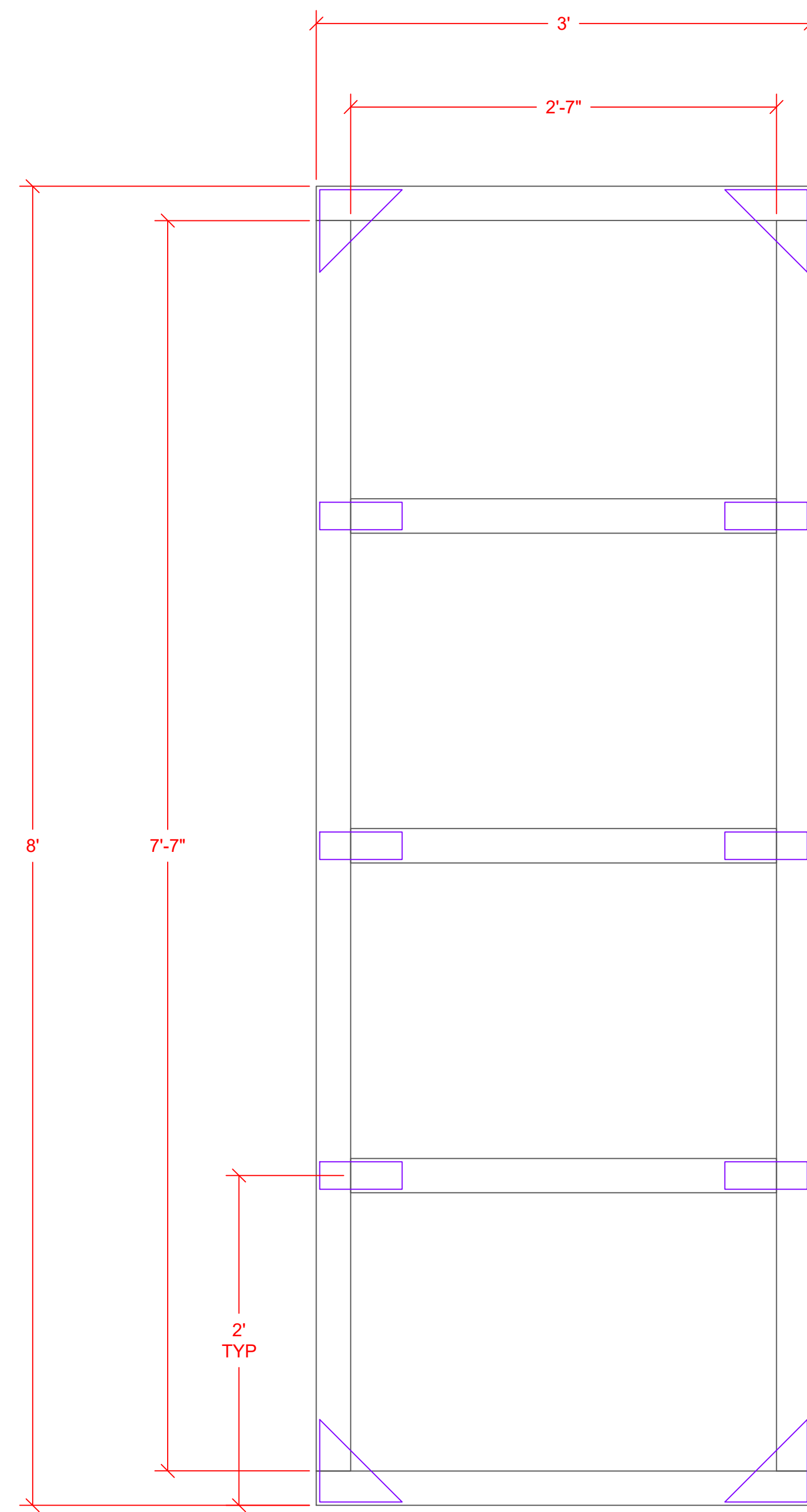
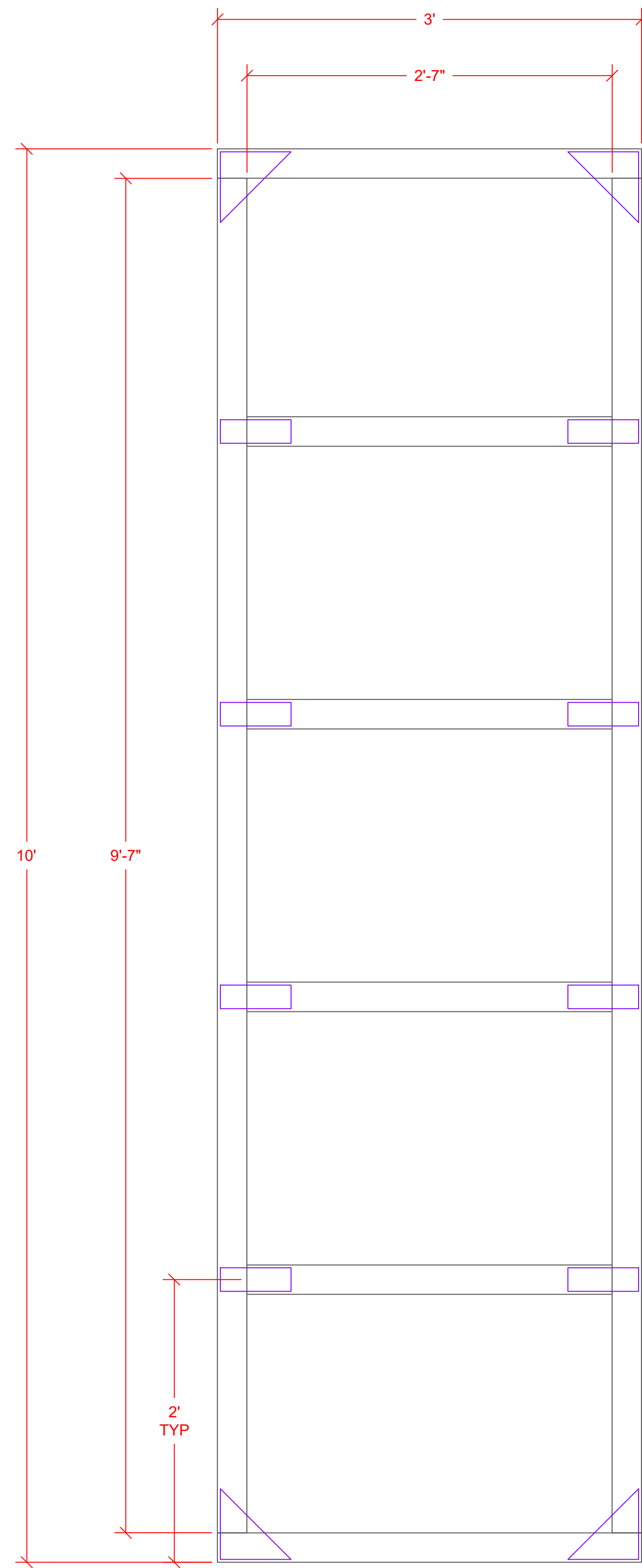
Designer:

Tiffani Sydnor

Date Completed:

Draftsman:

Abby Bender

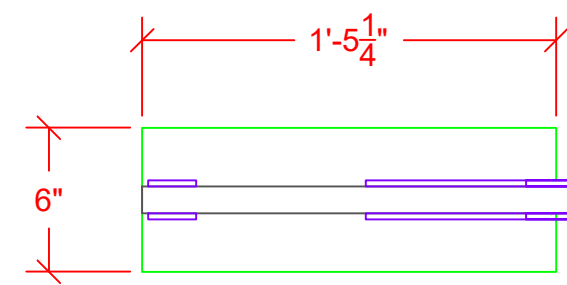
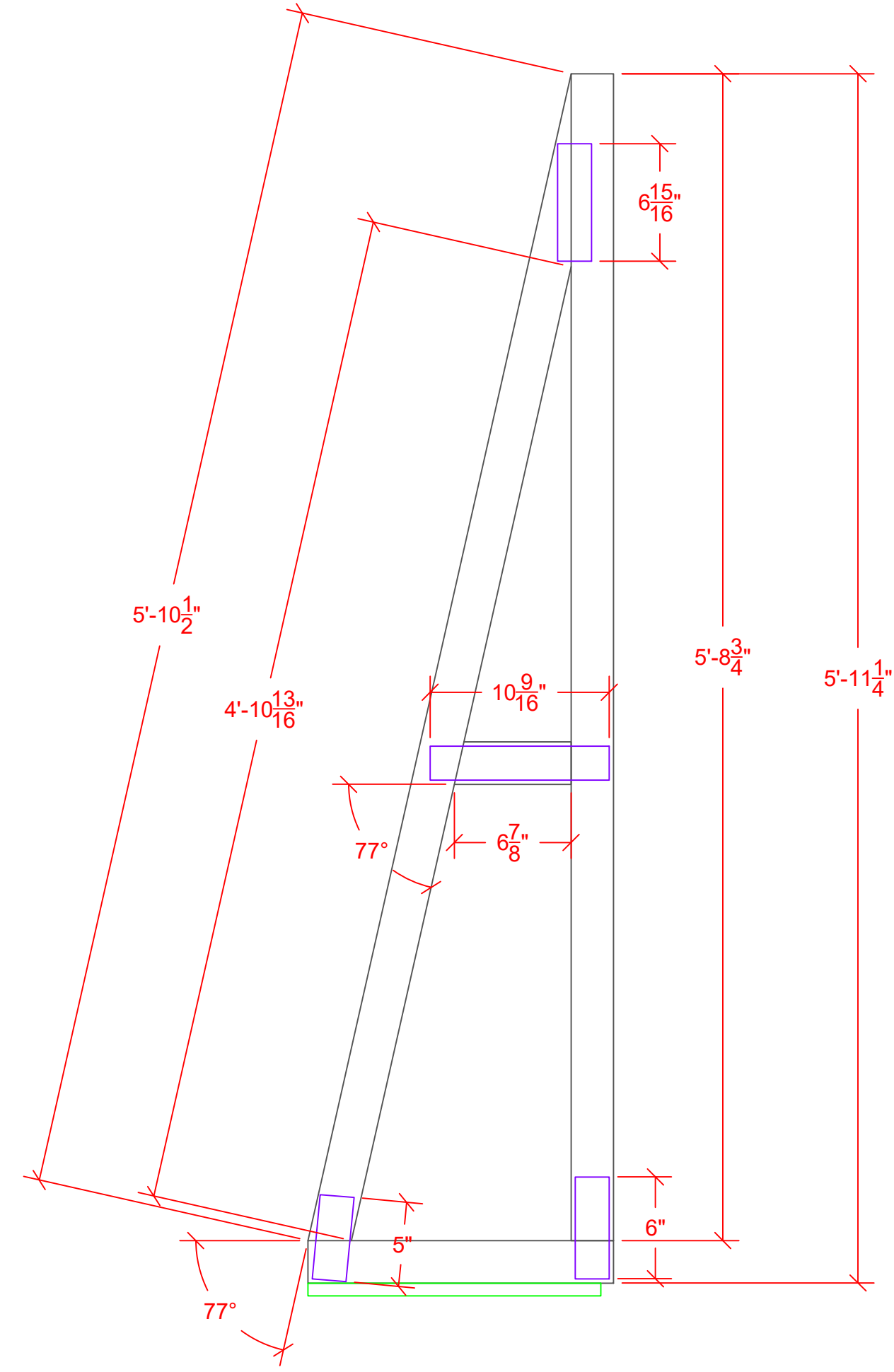
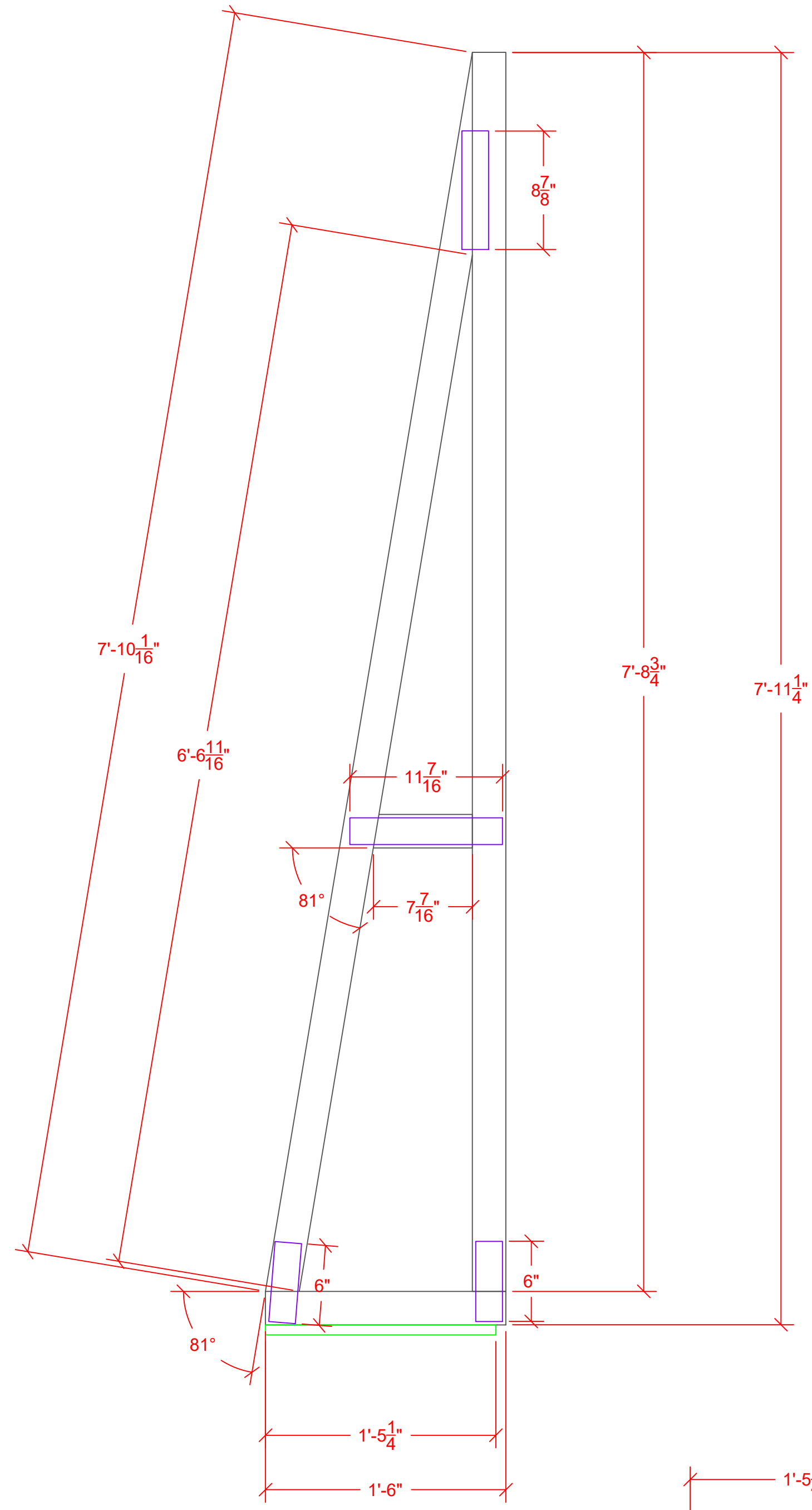


BUILD 2 OF EACH- BROADWAY STYLE

$\frac{5}{4}$ " and corrugated fastener construction with keystones & corner blocks out of lauan (attach with nc staples and glue)

Cover 8' flats with CNC'd pieces

Cover 10' and 6' flats with fabric from James- DO NOT DO WITHOUT ABBY



BUILD 2 OF EACH

2 1/2" rips of 5/8"
 Keystones of lauan on both sides
 Note 3/4" ply footplate DOES NOT GO THE FULL DEPTH OF JACK

BY THE WAY, MEET VERA STARK

XX Black Box

BD Show Jacks

Scale:

Date Drawn:

Date Completed:

1 1/2" = 1'

Director:

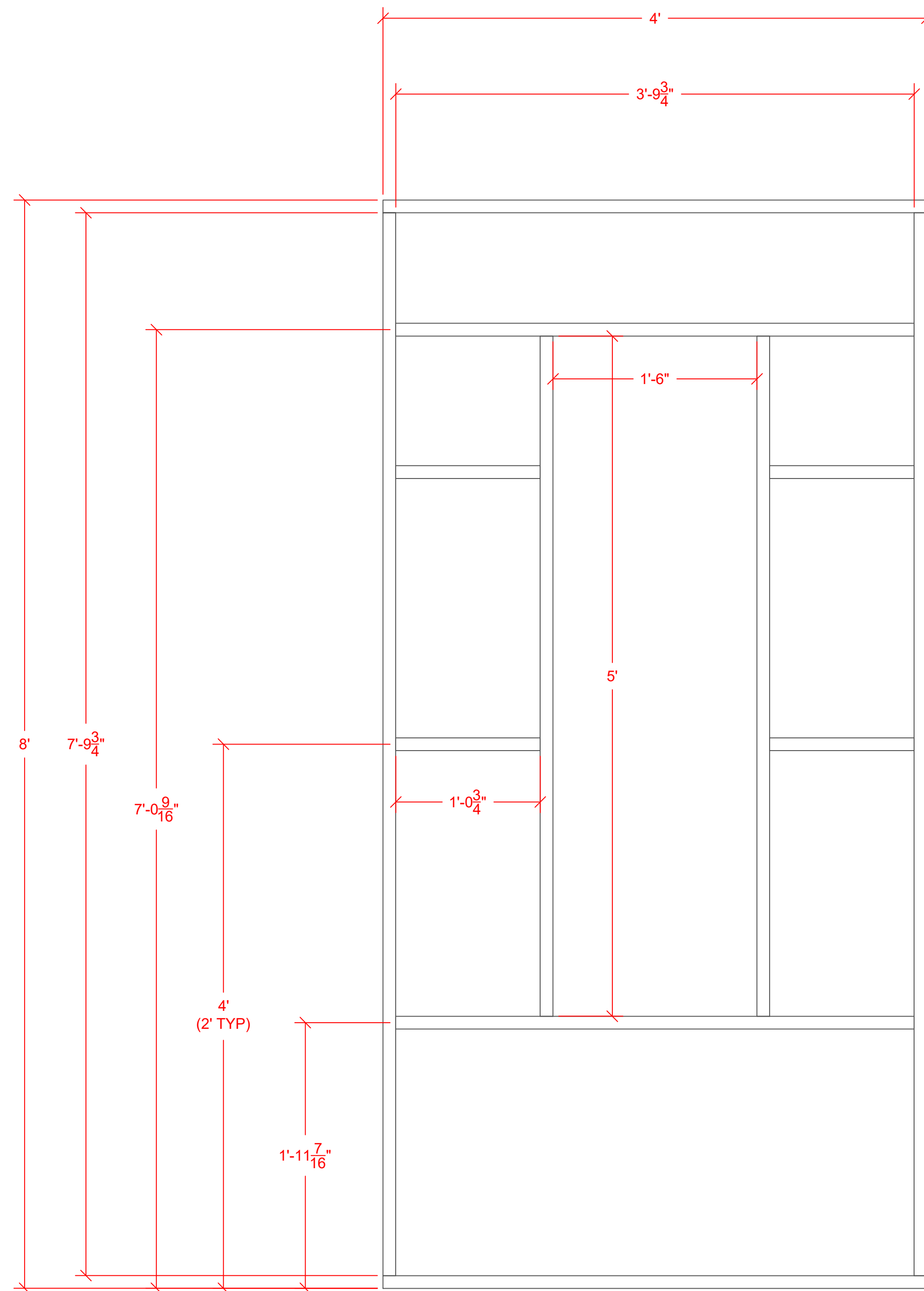
Designer:

Draftsman:

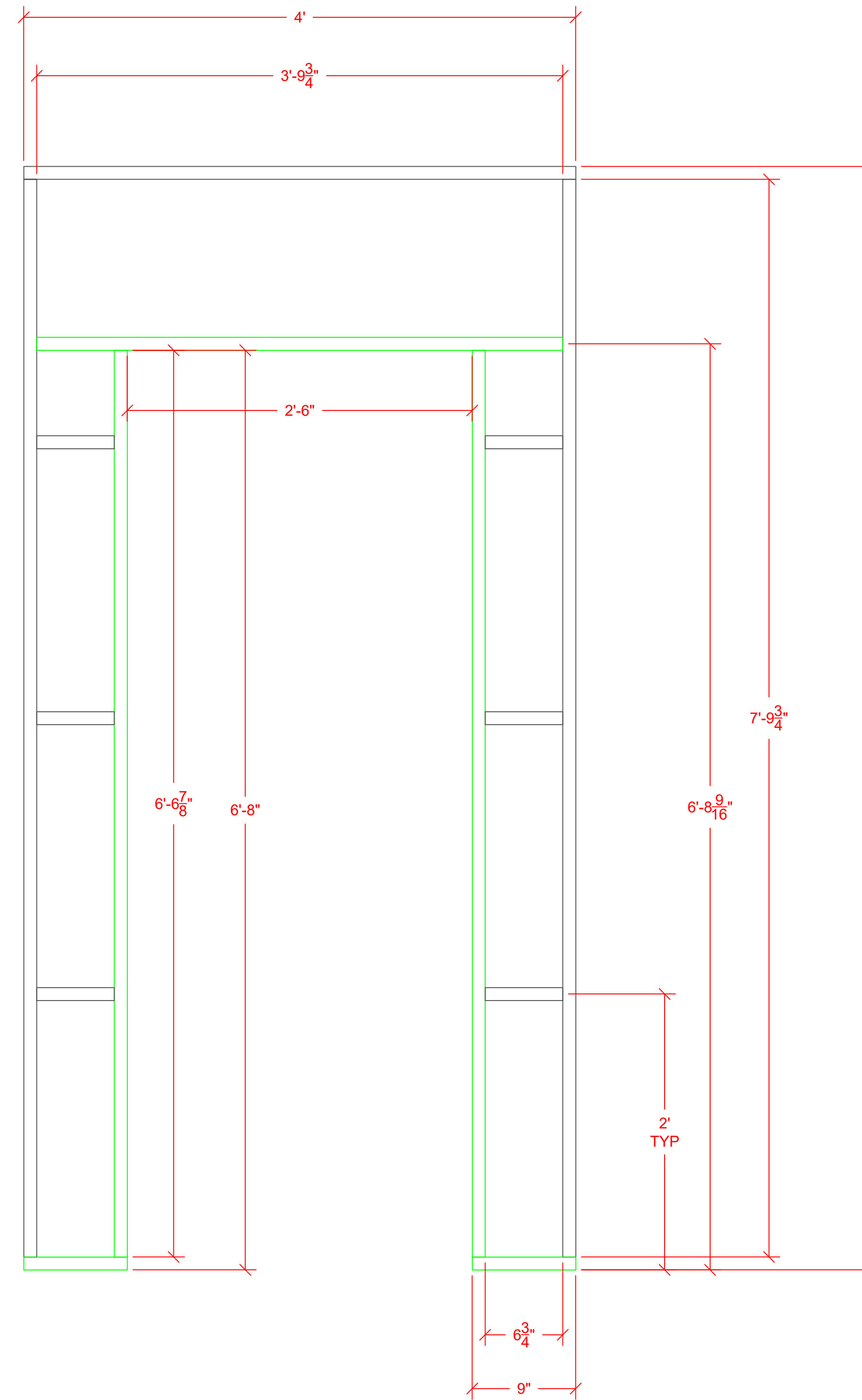
Sidney Williams

Tiffani Sydnor

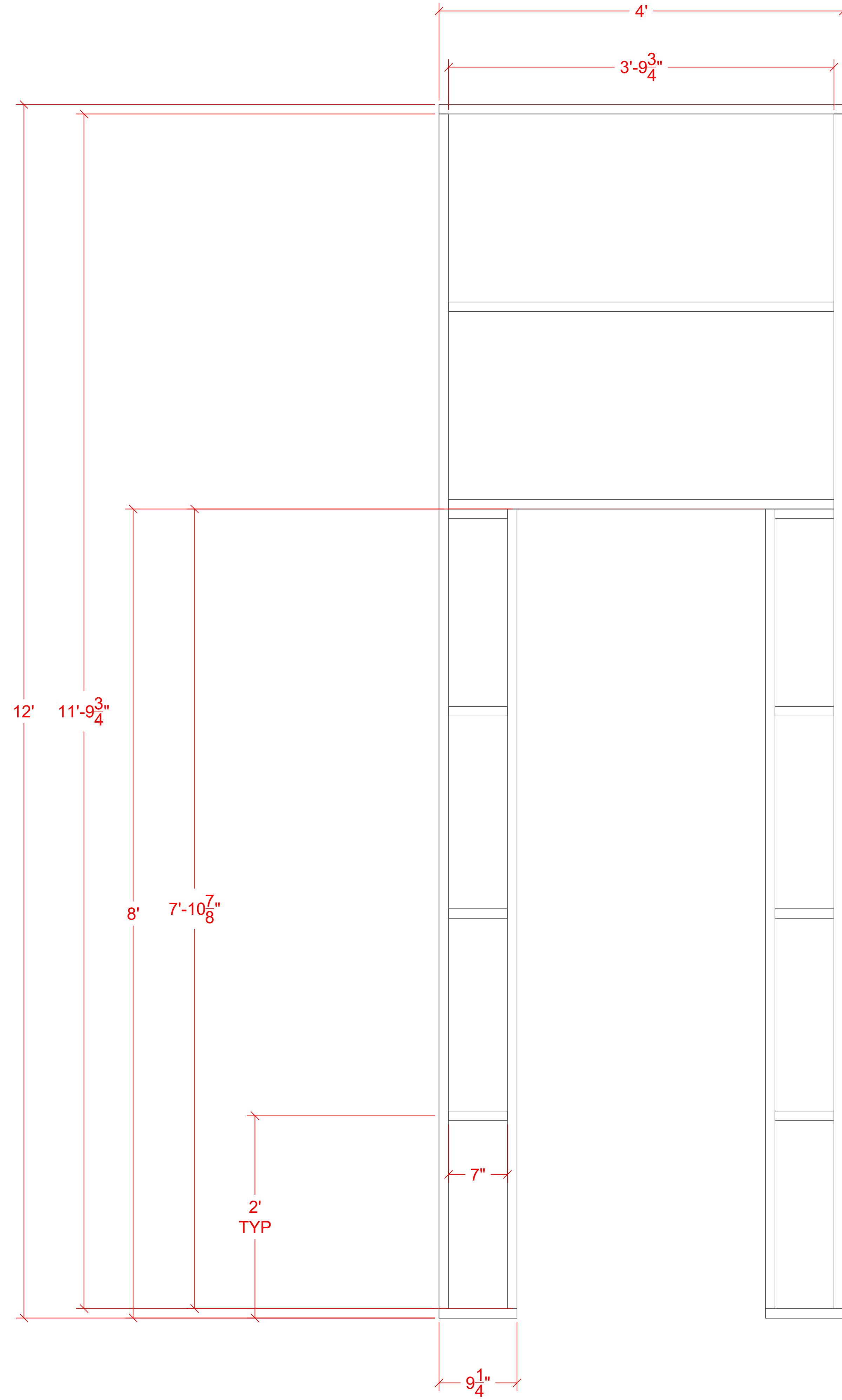
Abby Bender



BoNO Window Flat- BUILD 1
 Window casing w/ belly moulding and rosettes from stock.
 Sill to be added later- TBD.



BoNO Door Flat- BUILD 1
 Green pieces are to be 6" in width (or close enough, if using scrap), to be the reveal for the door.
 Door casing w/ belly moulding and rosettes from stock.
 Door is functional- TBD direction of swing.



MAKE 2

2 $\frac{3}{4}$ " rips of $\frac{5}{4}$ "

$\frac{5}{4}$ " and medium crown construction

Cover with lauan- NOTE WHERE 8' SEAM LANDS

Add 1x small Ashburn Arch to each unit after completion- ask AB for guidance

BY THE WAY, MEET VERA STARK

XX Black Box

Gloria Apt Custom Arch Flats

Scale:

Date Drawn:

Date Completed:

1 1/2" = 1'

Director:

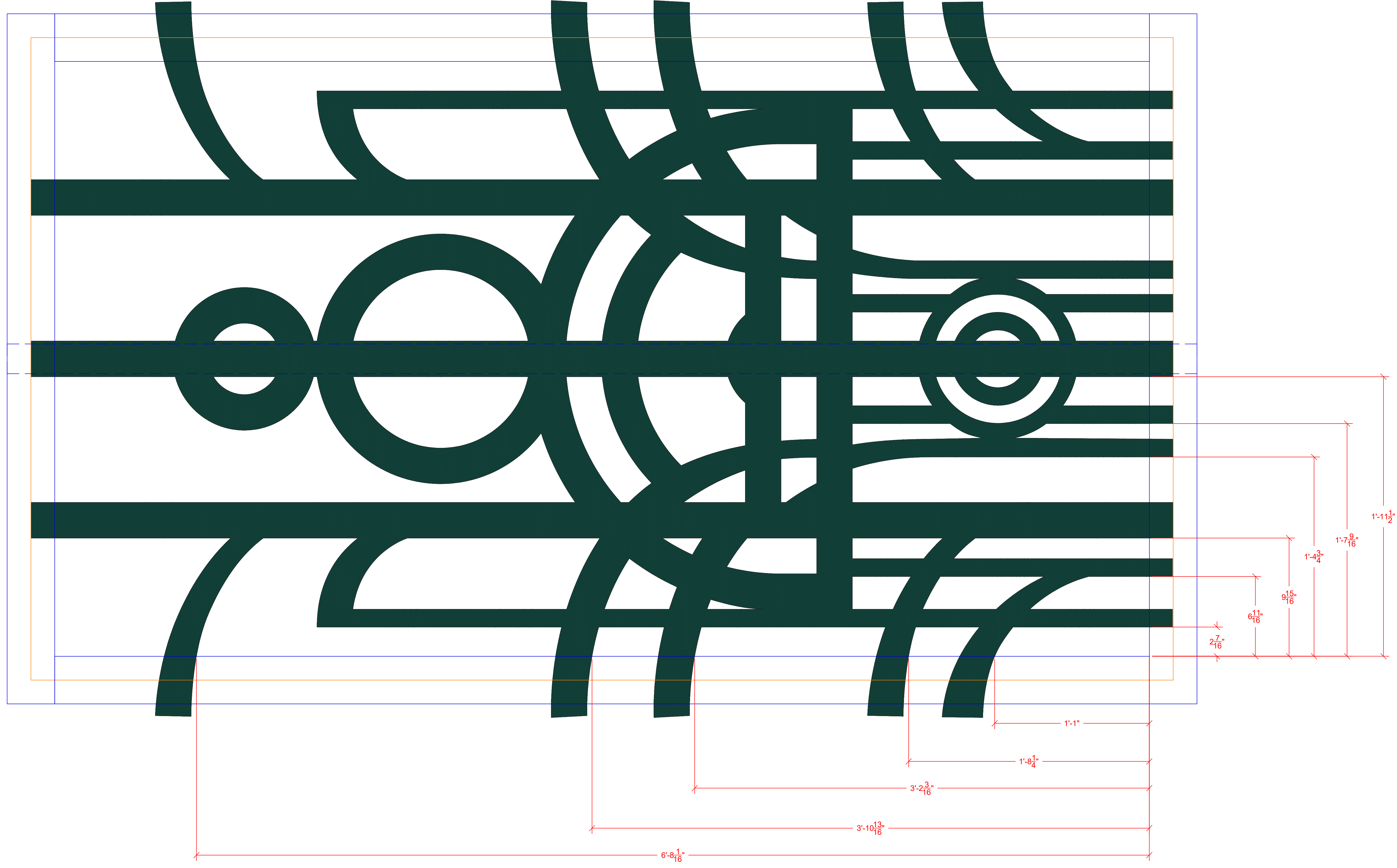
Designer:

Draftsman:

Sidney Williams

Tiffani Sydnor

Abby Bender



BY THE WAY, MEET VERA STARK

XX Black Box

Gloria's Window Frame

Scale:

Date Drawn:

Date Completed:

3" = 1' Director:

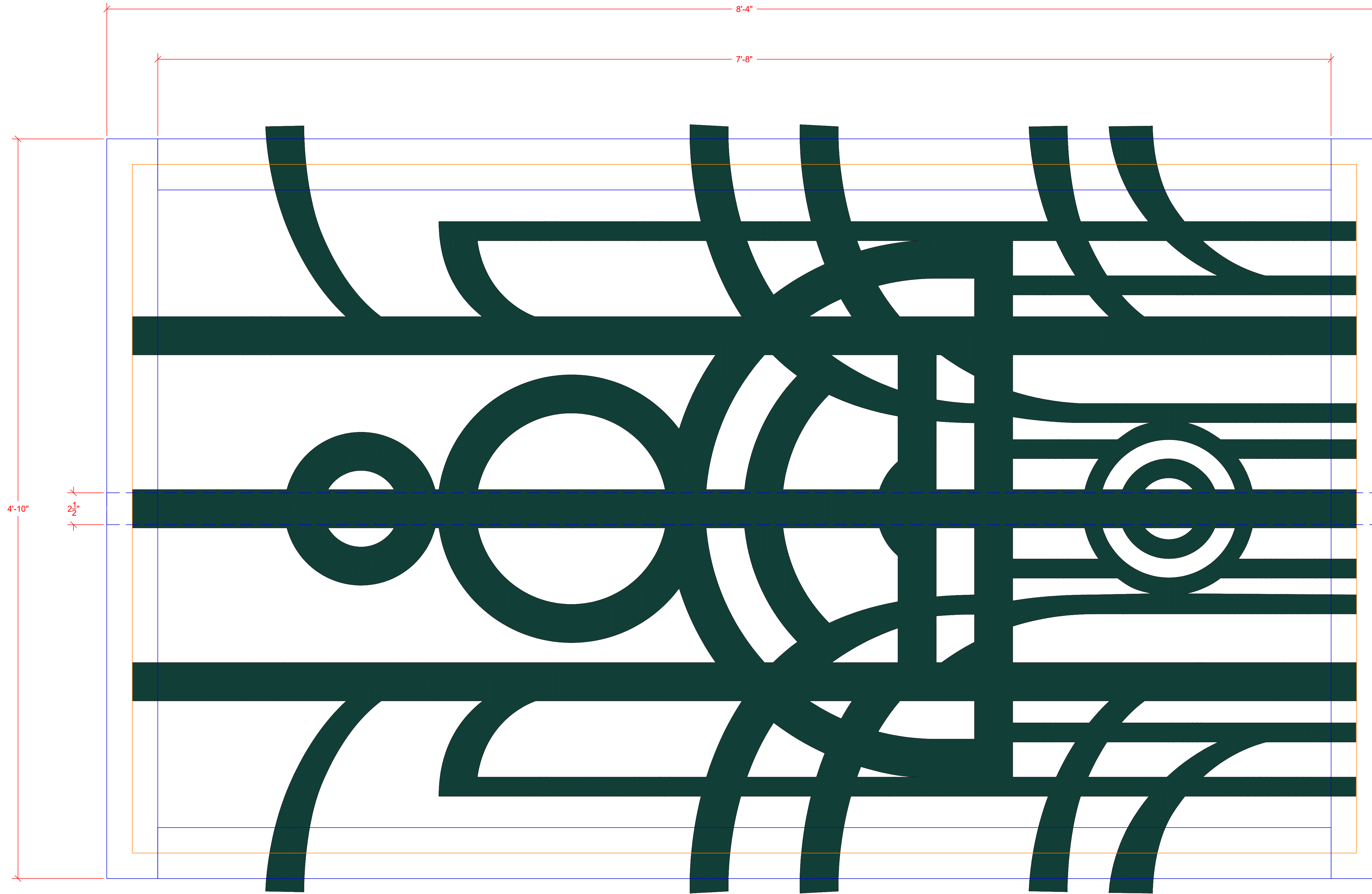
1/31/2023 Designer:

Draftsman:

Sidney Williams

Tiffani Sydnor

Abby Bender



AB PROJECT

Use $\frac{5}{4}$ to frame
 Corrugated fastener or pocket screw together, with glue
 Attach window to back (ENSURE IT'S CENTERED)
 Cover with builder's plastic (stretch all wrinkles out!)
 Catch seam on back with $2\frac{1}{2}$ " piece(s) of plywood, make sure to attach to frame as well for strength.